

FM100

Manometer plug valve

DIN-EN: DN 15 - 25 / PN 10 - 160

ASME: NPS ½" - 1" / class 150 - 900

PT range: $-30 < T < 230/280^{\circ}\text{C}$, vacuum 10-8 mbar



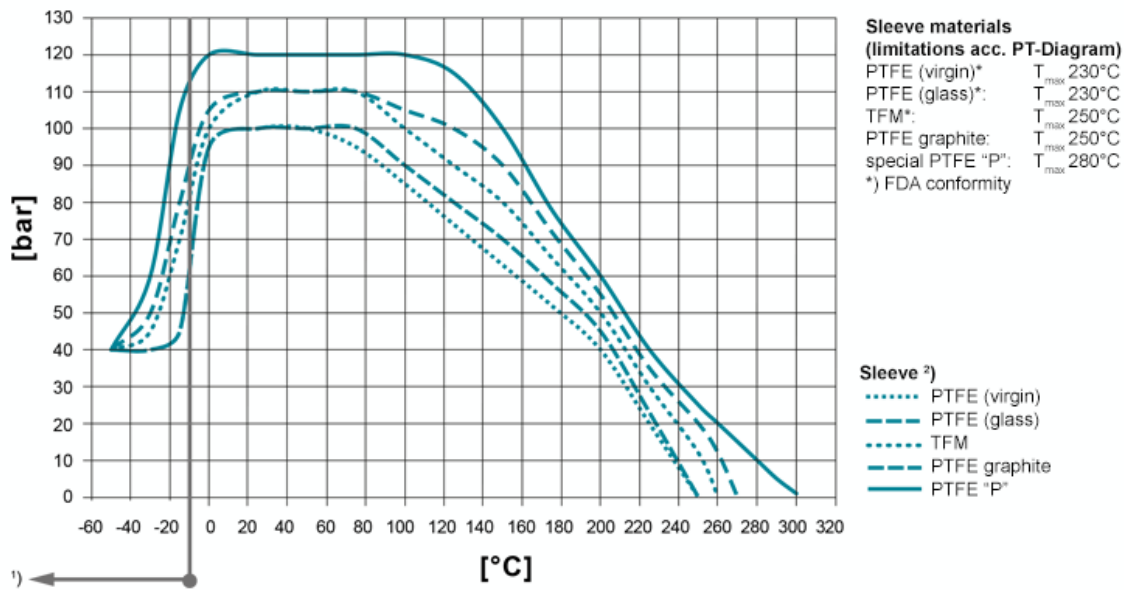
Design Features

Design Characteristics

- cavity and maintenance free
- lockable
- quarter turn valve for safe shut-off
- safe-guarded ventilation of pressure gauge
- easy accessible adjustment of the plug
- rating up to PN 160
- static eliminator (optional)

PT-Diagram

General Pressure-Temperature-Diagram



Operating temperatures < -30°C and > 220 °C have to be checked and approved by AZ according to the operating conditions.

Besides the P/T value of the sleeve the limitations of the valve bodies also have to be considered. Please refer to the EN 12516-1 resp. ASME B16.34 in order to choose a proper pressure rating (PN/class). The shown values refer to austenitic stainless steel 1.4408 (A351 Gr. CF8M).

- 1) For operating temperatures below -10°C low temperature / austenitic steels are required.
- 2) Sleeve: There are different sleeve materials / compounds available.

Materials

Standard body materials

- Stainless Steel 1.4408, ASTM A351 CF8M

Standard plug materials

- Stainless Steel 1.4308, ASTM A351 CF8

Special materials

- Alloy
- Monel
- Nickel
- Zirconium
- Titan
- Tantal
- other materials on request

Sealing Systems

Standard sealing for all major applications;
T_{max} 230°C

Type STD

[read more \[...\]](#)

Firesafe sealing (API 607) with graphite
packing for additional
stem sealing; T_{max} 230°C

Type FS

[read more \[...\]](#)

Chemical sealing to prevent fugitive emission
of aggressive and toxic media
with PTFE packing for additional stem sealing;
T_{max} 230°C

Type CA

[read more \[...\]](#)

Firesafe safety sealing (API 607) for fluctuating
temperatures
with 3x graphite packing (adjustable) for additional
stem sealing; T_{max} 280°C

Type FSN

[read more \[...\]](#)

Firesafe safety sealing (API 607) for fluctuating
temperatures
with 3x graphite packing (live loaded disc springs) for
additional
stem sealing; T_{max} 280°C

Type FSN-SL

[read more \[...\]](#)

Chemical safety sealing for fluctuating temperatures
with 3x PTFE packing (adjustment) for additional stem
sealing;
T_{max} 230°C

Type CASN

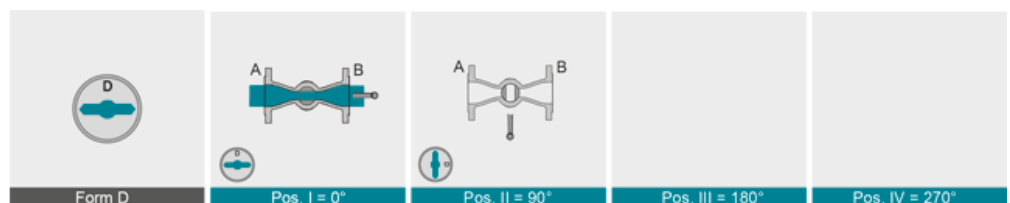
[read more \[...\]](#)

Chemical safety sealing for fluctuation temperatures
with 3x PTFE packing (live loaded disc springs) for additional
stem sealing; T_{max} 230°C

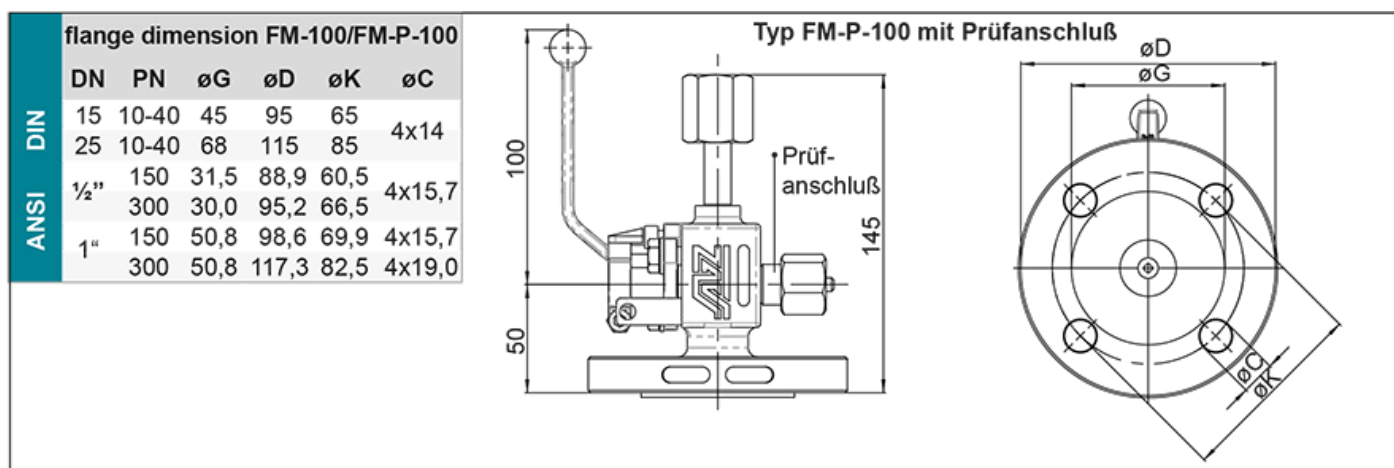
Type CASN-SL

[read more \[...\]](#)

Port Forms



Dimensions



Other flange dimensions and working pressure > PN40 / class 300 on request
 Valves with larger flange dimensions or screwed plug valves on request

on request