

PPV

Piston Purge Valve

Type PPV / PPV-S

- for liquid and highly viscous media
- for polymerizing and crystallizing media
- sampling volume: variable
- standard bottle volume: VF min 100 ml / VF max 250 ml, other sizes on request

PN 10-40; Class 150 - 300

Temperature: -40 to 220°C



Design characteristics

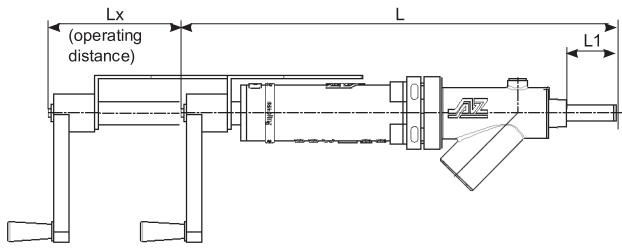
- no dead spaces
- self cleaning plunger
- non-clogging design
- crust breaking
- residue eliminated
- connection: NPT threaded or flanged
- installation: standard 45°, horizontal or vertical

Options

- heating jacket
- purging device

- needle system
- bottle holder for hot media
- automated (pneumatic / electric actuator)
- protection box
- lockable
- special materials

Dimensions



Type	L	L1	Lx
[mm]	[mm]
PPV	300	-	60
PPV-SS	390	43	105
PPV-S	480	95	142

Connection: male thread



- **Male thread**
- Type NPT
- PPV R 3/4"
- PPV-SS R 3/4"
- PPV-S R 3/4"

other on request

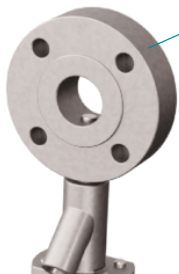
Connection: flange



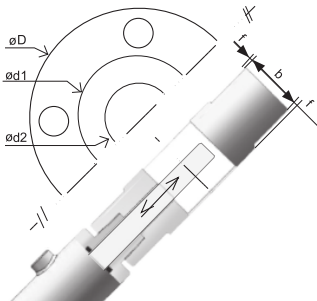
- **Flange**
- Type flange sizes
- PPV DN15 / NPS 1/2"
- PPV-SS DN15 / NPS 1/2"
- PPV-S DN15 / NPS 1/2"

other sizes on request,
dimensions acc. to
ANSI B16.5 / EN 1092-1

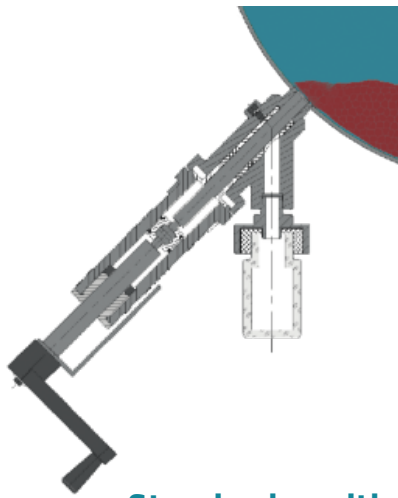
Connection: double flange, only for PPV-SS / PPV-S



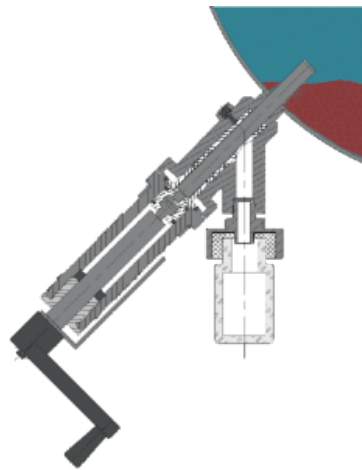
- **double flange**



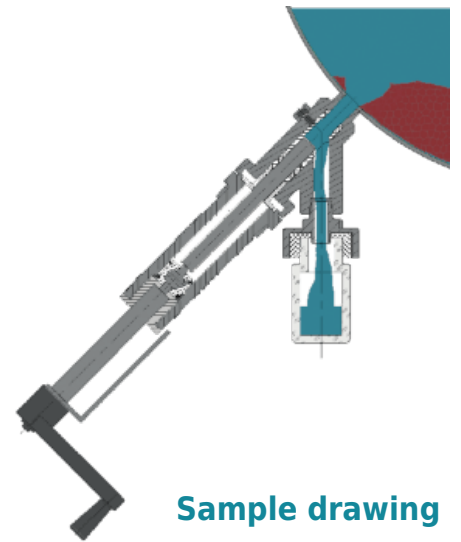
EN 1092-1	DN	PN	øD [mm]	d1 [mm]	d2 [mm]	b [mm]	f [mm]	ASME B16.5 / B16.10	NPS	Class	øD [mm]	d1 [mm]	d2 [mm]	b [mm]	f [mm]
	25	10-40	115	69	25	50	2		1	150	110	50.8	25	50	2
40	10-40	150	88	40	50	3	1	300	125	50.8	25	50	2		
50	10-40	165	102	50	3	1/2	150	125	73	40	50	2			
65	10-40	185	122	65	50	3	1/2	300	155	73	40	50	2		
80	10-40	200	138	80	50	3	2	150	150	92.1	50	50	2		
100	10-16	220	158	100	50	3	2	300	165	92.1	50	50	2		
	25-40	235	162	100	50	3	2 1/2	150	180	104.8	65	50	2		
125	10-16	250	188	125	50	3	3	300	190	104.8	65	50	2		
	25-40	270	188	125	50	3	3	150	190	127	80	50	2		
150	10-16	285	212	150	50	3	4	300	210	127	80	50	2		
	25-40	300	218	150	50	3	4	150	230	157.2	100	50	2		
200	10-16	340	268	200	50	3	5	300	255	157.2	100	50	2		
	25/40	360/375	278/285	200	50	3	5	150	255	185.7	125	50	2		
other sizes on request									6	150	280	185.7	125	50	2
									6	300	280	215.9	150	50	2
									8	150	345	269.9	200	50	2
									8	300	380	269.9	200	50	2



Standard position



self cleaning



Sample drawing

Materials

Standard

- stainless steel 1.4308, ASTM A351 CF8
- stainless steel 1.4408, ASTM A351 CF8M
- other materials such as Nickel, Hastelloy, Monel, Titanium, Tantalum etc on request

- suitable for automated sampling system
- design optimized for straight travel pneumatic actuator

