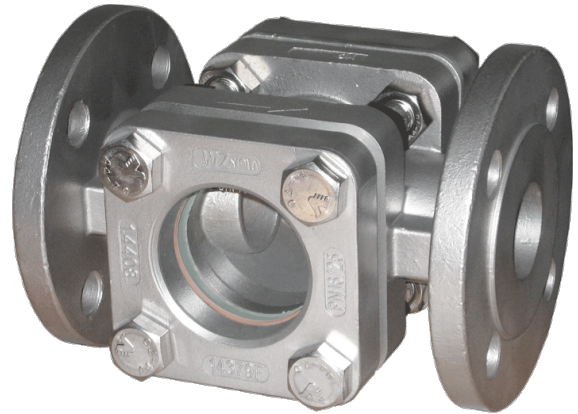


OCULAR

Sightglass with full bore

DIN-EN: DN 15 - 250 / PN 10 - 40 ASME: NPS 1" - 4" /
class 150



Design Features

Design Characteristics

- temperatur range up to 280°C
- entry nozzle for turbulences
- heating jacket (option)

Materials

Standard

- Carbon Steel 1.0619 / ASTM A216 WCB
- Stainless steel 1.4408 / ASTM A351 CF8M
- Stainless steel 1.4308 / ASTM A351 CF8M
- Unalloyed stainless steel casting (low Temp.) 1.1138 / LCC/LCB / A352

Special materials

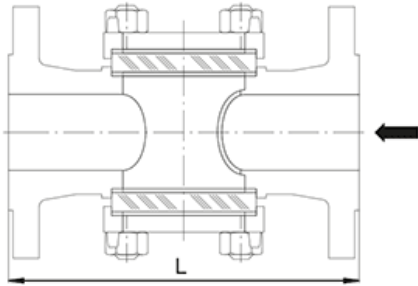
- other materials on request

Sightglass

- Borosilikat

Dimensions

DIN 3202/EN 558-1	DN	PN	L
	15	10-40	130
	20	10-40	150
	25	10-40	160
	32	10-40	180
	40	10-40	200
	50	10-40	230
	65	10-40	290
	80	10-40	310
	100	10/16	350
		25/40	
	150	10/16	480
		25/40	
200	10/16	600	
	25/40		
250	10/16	730	
	25/40		



Higher pressure load on request