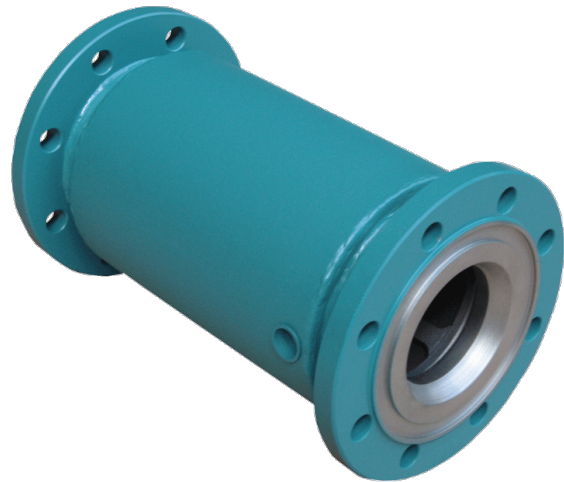


MRV

Ball check valve

DIN-EN: DN 15 - 250 / PN 10 - 40

ASME: NPS 1" - 4" / class 150



Design Features

Design Characteristics • temperature range up to 180°C

- metal design
- with heating jacket available
- with sightglass **Condition:**

After the check valve in flow direction the pipe-DN must correspond to the check valve-DN. Recommendation for vertical type: DELTA.

When vertically installed ($=0^\circ$) resp. (up to 60° angle) ball check valves close automatically, because ball is guided in the centre of the bore. When horizontally installed ($=90^\circ$) resp. (up to 30°) the valves close automatically if the back flow related water is 1,5 - 2,5 m/sec.

Materials

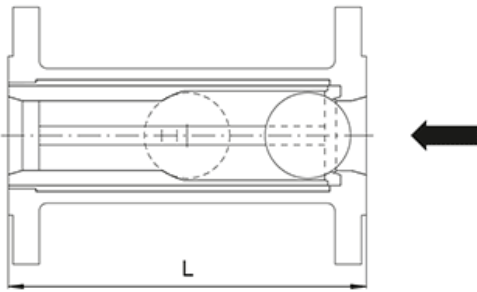
Standard

- Carbon Steel 1.0619 / ASTM A216 WCB
- Stainless steel 1.4408 / ASTM A351 CF8M
- Stainless steel 1.4308 / ASTM A351 CF8M

- Unalloyed stainless steel casting (low Temp.) 1.1138 / LCC/LCB / A352 **Special materials**
- other materials on request **Sightglass**
- Borosilikat **Ball**
- PTFE

Dimensions

	DN	PN	L
DIN 3202/EN 568-1	15	10-40	130
	20	10-40	150
	25	10-40	160
	32	10-40	180
	40	10-40	200
	50	10-40	230
	65	10-40	290
	80	10-40	310
	100	10/16	350
	150	25/40	350
	200	*	*
250	*	*	
ASME B 16.5	NPS	PN	L
	1"	150	127
	1½"	150	165
	2"	150	178
	3"	150	203
4"	150	229	



* on request
Higher pressure load on request