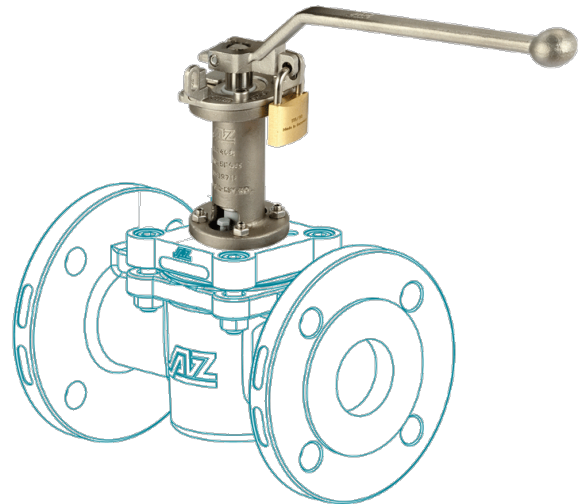


FV

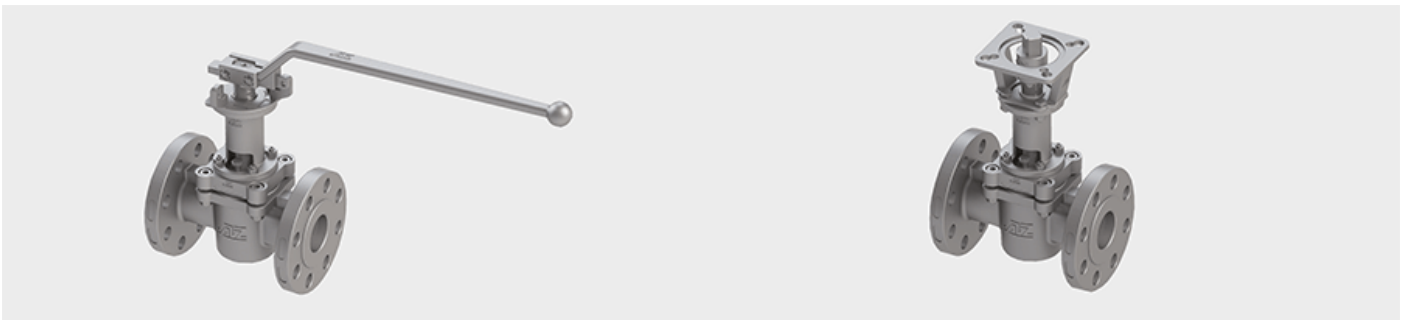
Cover extension



Design Features

Design Characteristics

- for all AZ valves with lever, hand operation and actuator
- Standard extension 100 mm high other on request
- Solid construction in stainless steel
- simple mounting



Materials

Standard

- Stainless steel 1.4308, ASTM A351 CF8

Dimensions

on request